

# Push-in Plug IV with float housing

Technical Data

Art. no. A4N540/580/620/660/700

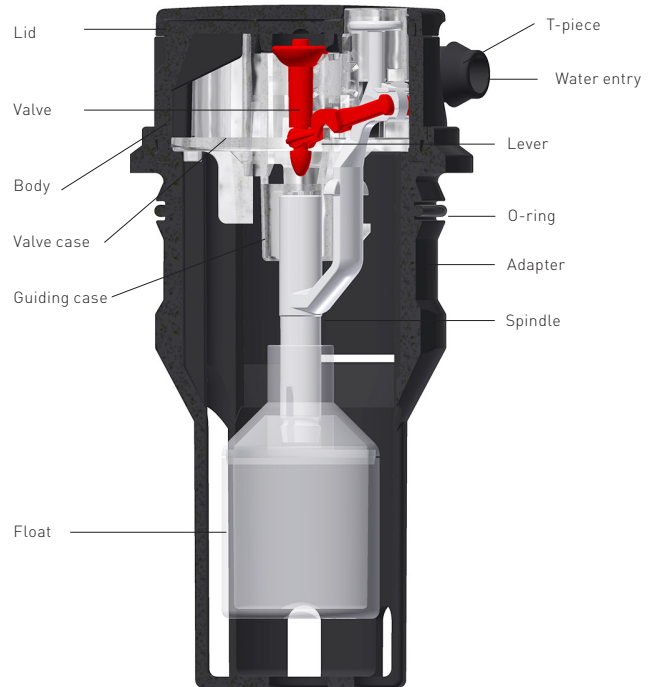
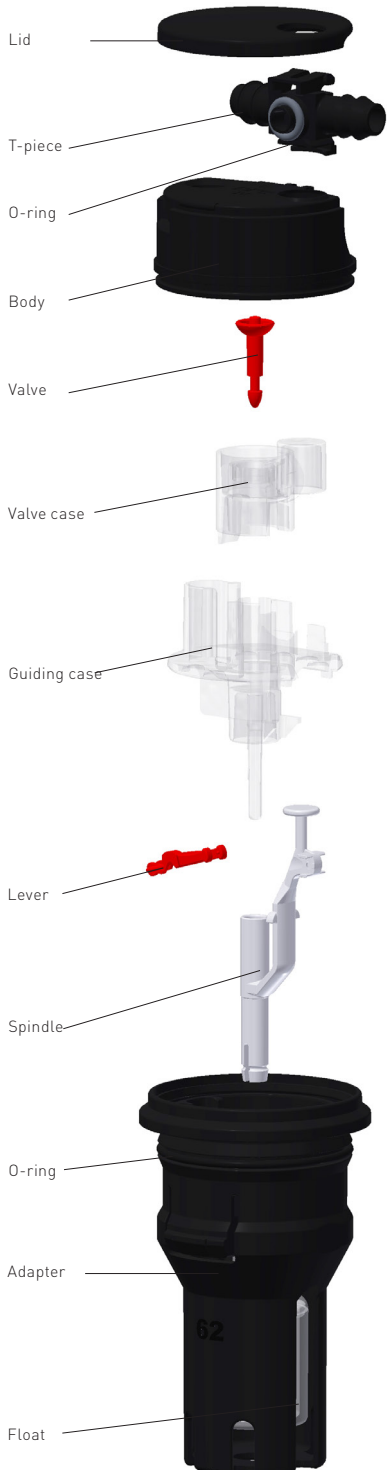


## Technical data

Float action	4,0mm / .160"
Valve action	1,6mm / .063"
Increment	2,4 : 1
Fill pressure	min. 0,2 bar / 2.9 psi   max. 3,8 bar / 55 psi

## Water volume (dynamic) with 6 plugs in series

0,3 bar / 4.3 psi	4.33 pt (2050 cm <sup>3</sup> ) per minute
0,4 bar / 5.8 psi	5.37 pt (2540 cm <sup>3</sup> ) per minute
0,5 bar / 7.2 psi	6.66 pt (3150 cm <sup>3</sup> ) per minute
1,0 bar / 14.5 psi	10.74 pt (5080 cm <sup>3</sup> ) per minute



All parts are assembled by means snap-in, no glue, no heat seal. All parts can be recycled at end of life cycle.